



Universal Liquid sensor for all kinds of liquids



One of the most reliable liquid universal liquid sensors suitable for all liquids. The design is proven in the field of refrigeration. Refrigerants transform very fast between liquid and gas phase. Besides there are many gasses/ liquids used as refrigerant.

Design:

One of the most useful benefits is that the electronics and level rod are designed in split design. There is no need to dismantle the liquid section by electronic replacement.

Most flexible adjustments:

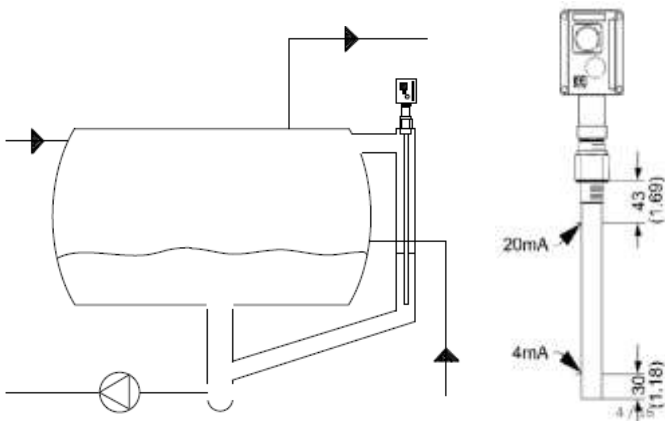
Today one of the most used liquid sensor in the refrigeration AKS41 was his old name. Today we can call it **Universal liquid level sensor**. The universal liquid level sensor is available in **several length** even custom made. The **min-max level indication** is **adjustable**. Also **the signal damping** is **adjustable** between the **1 and 120 seconds**, which is very useful in turbulent liquid baths.

For **the refrigeration industry** are the most **common refrigerant pre-programmed**. The factory setting is water (R718 or NH3 R717).

The level is indicated by a signal of 4-20 mA, which can be led to your central control system. Besides the output signal there is also a version with a led bar indication for local indication.

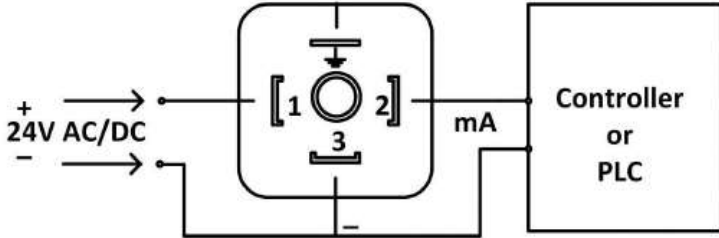
Principle:

The electronic insert of the probe converts the measured level of the liquid into a signal between the 4-20 mA. (4 mA low level- 20 mA max level. The required power supply is 24VDC. The output signal can be lead to a central control system plc.

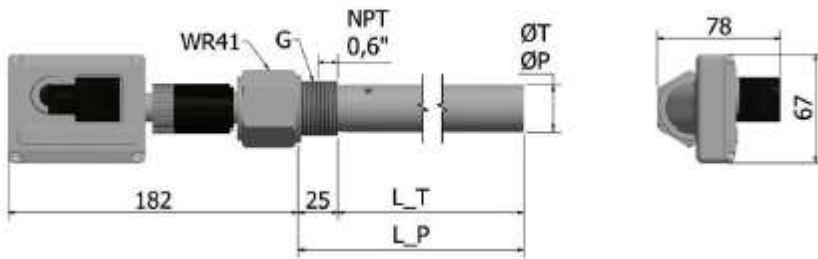


Electronic connections:

Alternative (-) supply — 7



Dimensions:



Standard available in:

Code	Length	Thread connection
T-28	280 mm	1 inch BSPP
T-50	500 mm	1 inch BSPP
T--80	800 mm	1 inch BSPP
T-100	1000 mm	1 Inch BSPP
T-120	1200 mm	1 inch BSPP
T-150	1500 mm	1 inch BSPP
T-170	1700 mm	1 inch BSPP
T-220	2200 mm	1 inch BSPP
T-300	3000 mm	1 inch BSPP



Code	Length	Thread connection
T-6	6 inch	3/4 NPT
T-8	8 inch	3/4 NPT
T--12	12 inch	3/4 NPT
T-15-3	15,3 inch	3/4 NPT
T- 19-2	19,2 inch	3/4 NPT
T-23-1	23,1 inch	3/4 NPT
T-30	30 inch	3/4 NPT
T-35	35 inch	3/4 NPT
T-45	45 inch	3/4 NPT
T-55	55 inch	3/4 NPT
T-60	60 inch	3/4 NPT
T-85	85 inch	3/4 NPT
T-105	105 inch	3/4 NPT
T-120	120 inch	3/4 NPT

Technical Data:

Approvals:	
CE –approval	EN-61000-2
EMC Emission	EN61000-3-2
EMC Immunity	EN61000-4-2
GOST R	No 0903044



Technical Data:	
Voltage	24 V AC/DC \pm 10%
Analog output	4-20 mA
Led indication level	Led bar (as option)
Calibration	Calibration button / led indication
Alarm output	No
Enclosure protection class	IP65
Max load resistance	500 Ω
Ambient temperature	-30 / +50°C
Medium temperature	-60/ +80 °C
Max pressure	100 bar
Vibrations	IEC 68-2-6 (4g)
Specified cable	3 x 0,34 mm ²
Cable glands	PG7/m8
Plug connection	DIN 43650- 4 pins
Cable resistance	500 Ω /km
Tread connection	$\frac{3}{4}$ inch NPT of 1 inch BSPP
Material mechanical parts	AISI304/ PTFE/ thread AISI 303
Material –electronic parts	Nylon 6 (PA)
Material enclose	Coated cast alluminium